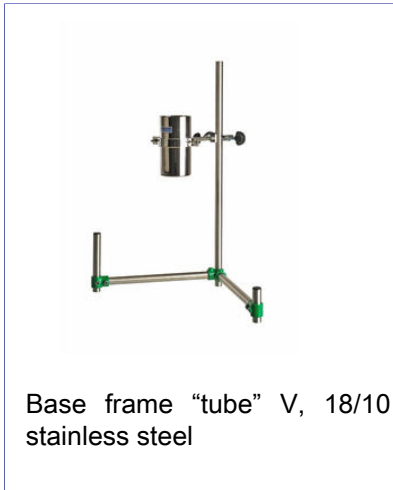


## Base frame "tube", 18/10 stainless steel ( sample )



Type 1: base frame tube V (2 legs, form V)  
Type 2: base frame tube H (legs form H, bridge variable)  
A\*=leg length  
External dimensions A, B and C can be defined individually.

Material	Type	Article no.
18/10 Stainless	1	5645
18/10 Stainless	2	5646